

DIRECTLY DRIVEN PLANETARY STEERING AXLES



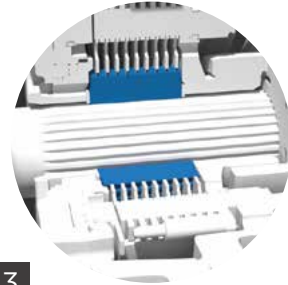
1

CAST DESIGN



2

PATENTED SELF-COOLED
TURBO BRAKE



3

DIFFERENTIAL LOCKS
MDDL
OR NOSPIN®
OR DOG CLUTCH
OR LIMITED SLIP

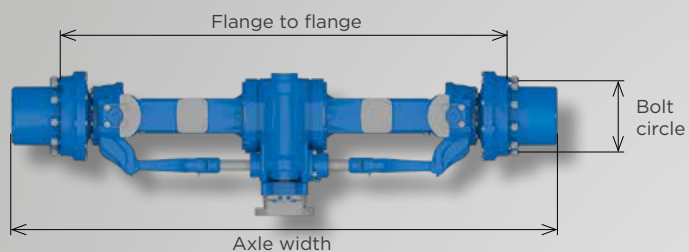


4

DIRECT MOTOR ATTACHMENT
WITH GEAR DRIVE

TYPE	LAP 44	LAP 54	LAP 55
Ratio	39.16 - 58.75	55.3 - 68.1	19.32 - 23.98
Static axle load up to [kN]	110	140	320
Dynamic axle load [kN]	110	140	190
Max. speed [kph]	40	40	25
Parking brake	Optional	Optional	Optional
Service brake	Optional	Optional	Optional
Input torque [Nm]	900	1050	max. 3500
Input RPM	3800	4500	3400
Axle width [mm]	2704 - 3510	3050 - 3569	2570
Flange-to-flange [mm]	2470 - 3270	2770 - 3270	2100
Bolt circle [mm]	275	335	335
Driven by	Directly attached gearbox / hydrostatic or hydrodynamic driveline		
Differential locks	Various solutions available		





**DIRECTLY DRIVEN
PLANETARY STEERING AXLES**

Product features:

- > Gear drive integrated in differential housing, compact design
- > Various hydraulic or electric motor sizes and models can be attached
- > Adjustable track width to fit different tyre sizes

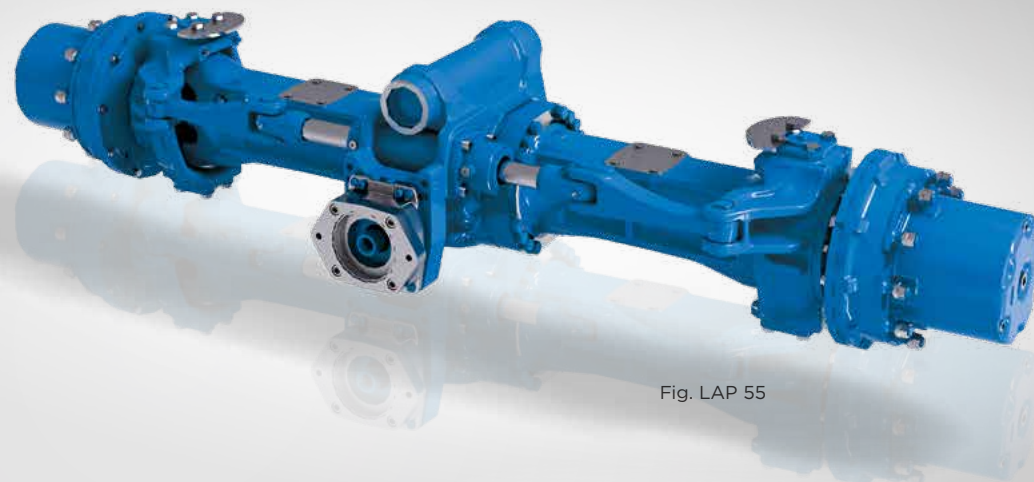


Fig. LAP 55

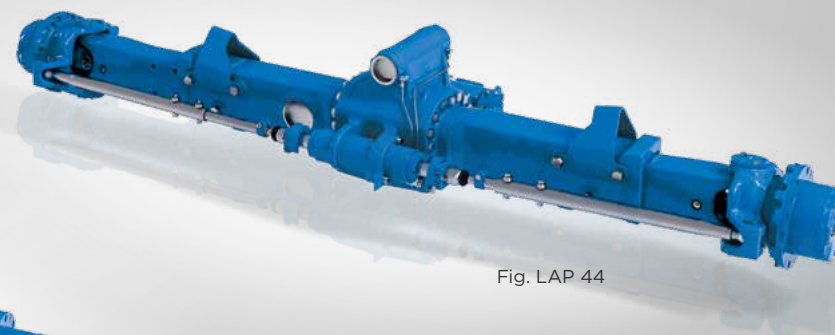


Fig. LAP 44

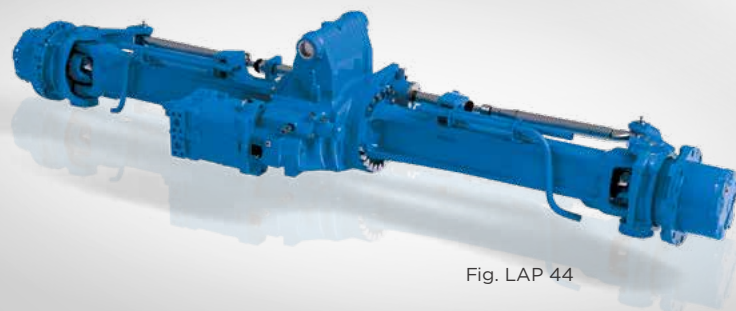


Fig. LAP 44



NAF is the expert for power transmission, traction and load capacity on mobile working machines. Our gears and axles create a substantial competitive advantage in the heavy-duty off-highway industry. As a system partner we have been mastering the tasks of our market-leading customers since 1960 and invest 5% of our annual turnover into research and development.

As our customer you benefit directly from our passion for innovation that guarantees your success.



AT HOME ON **3** CONTINENTS



46

Supplied countries worldwide

620

Employees in total

35.000 m²

of production space in 17 halls

38.000

Components sold each year

15

Patents and
protected innovations

35

Employees working in
R&D/PDP

Headquarters and production

NAF Neunkirchener Achsenfabrik AG
Weyhausenstrasse 2
91077 Neunkirchen am Brand
Germany
T: +49 9134 702-0
F: +49 9134 702-640
info@nafaxles.com

For more information about our
branches in North America, France,
Germany (HQ), Russia & China visit:



NAF • MODULAR-MINDED AXLES

NAFAXLES.COM